

Data Sheet

2835 SMD LED

Nationstar LED



Table of Contents

General Informations:	3
Electrical and Flux Characteristics	3
Color Wavelength Diagram:	6
Mechanical Dimensions:	7
Electrical Connection:.....	7
Optical Characteristics:.....	8
Packing:.....	8

General Informations:

Features:

- Silicone encapsulation
- Pb-free reflow soldering
- High luminous intensity
- Low power dissipation
- Good reliability and long life
- Various colors
- Good color uniformity
- Lead free reflow soldering
- RoHS compliant

Application :

- Reading lights (car, bus, aircraft)
- Portable (flashlight, bicycle)
- Uplighters/Downlighters
- Decorative/Entertainment
- Bollards/Security/Garden
- Cove/Undershelf/Task
- Indoor/Outdoor Commercial and Residential Architectural
- Automotive Ext (Stop-Tail-Turn), CHMSL, Mirror Side Repeat
- LCD backlights
- Numerous lightening applications

Electrical and Flux Characteristics

Table 1: Flux Characteristics

Code	Size(mm)	Case	Color	Wavelength	Angle
4064	2835	SMD LED	Cold White	6000-6500K	120°
4064-1	2835	SMD LED	Cold White	8500-10000K	120°
4064-2	2835	SMD LED	Cold White	7200-8500K	120°
4068	2835	SMD LED	Cold White	5840-6650K	120°
4065	2835	SMD LED	Warm White	3000-3500K	120°
4065-1	2835	SMD LED	Warm White	2800-3050K	120°
4066	2835	SMD LED	Natural White	4000-4500K	120°
4066-1	2835	SMD LED	Natural White	3800-4200K	120°

Notes for Table 1:

1. Parts are tested in pulsed conditions, Tj = 25°C. Pulse width is 10 ms at rated test current.
2. İlker Elektronik maintains a ± 10% tolerance on flux measurements.
3. Center beam candle power is a calculated value based on Lambertian radiation pattern at nominal test current.

Table 2: Electrical Characteristics

Code	Color	Typical Forward Current (mA)	Max Forward Current (mA)	Typical Input Voltage (CV)	Max Input Voltage (CV)	Typical Lm	Max Lm
4064	Cold White	60mA	75mA	3.2V	3.3V	24 lm	27 lm
4064-1	Cold White	60mA	75mA	3.2V	3.3V	26 lm	28 lm
4064-2	Cold White	60mA	75mA	3.2V	3.3V	25 lm	27 lm
4068	Cold White	60mA	75mA	3.2V	3.3V	24 lm	27 lm
4065	Warm White	60mA	75mA	3.2V	3.3V	19 lm	23 lm
4065-1	Warm White	60mA	75mA	3.2V	3.3V	18 lm	22 lm
4066	Natural White	60mA	75mA	3.2V	3.3V	21 lm	25 lm
4066-1	Natural White	60mA	75mA	3.2V	3.3V	20 lm	24 lm

Notes for Table 2:

1. Parts are tested in pulsed conditions, Tj = 25°C. Pulse width is 10 ms at rated test current.
2. İlker Elektronik maintains a ± 10% tolerance on Current values.
3. Typical stabilized DC performance values are provided as reference only and are not a guarantee of performance.

Absolute Maximum Ratings ($T_A = 25^\circ\text{C}$ unless otherwise noted)

Table 3: Maximum Ratings

Parameter	Maximum Performance
Storage Temperature Range	-40 ~ +100° C
Operating Temperature Range	-30 ~ +85° C
Mounting Surface Temperature	60° C
LED Junction Temperature ¹	125° C
Electrostatic Discharge Classification (JEDEC-JESD22-A114F)	Class 1C
Reverse Voltage ^[2,3]	-5V
UL Recognition	UL recognized

Notes for Table 3:

1. Proper current de-rating must be observed to maintain junction temperature below the maximum.
2. Power LEDs are not designed to be driven in reverse bias.
3. At maximum reverse current of 10 μ A/LED.

Application Notes:

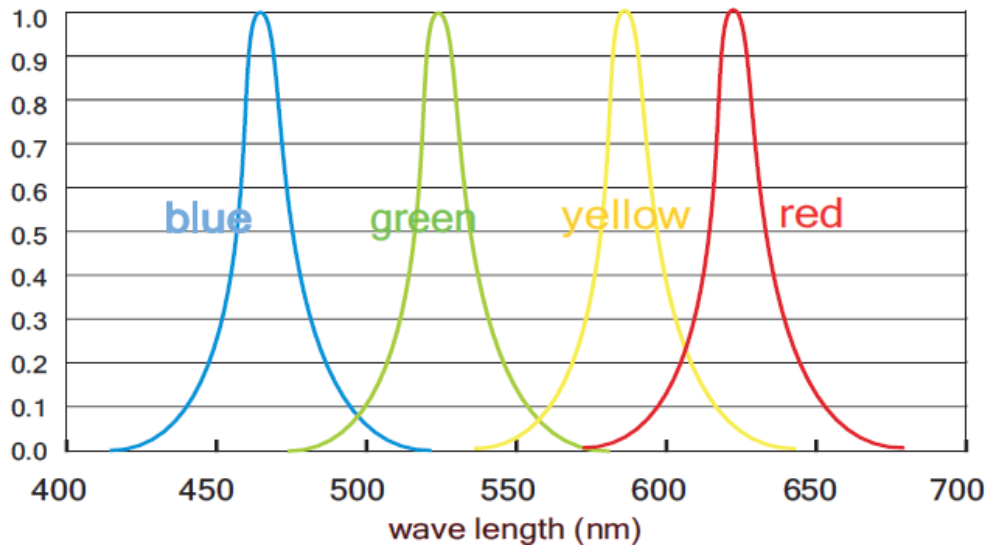
- The Anode side of the device is denoted by a hole in the lead frame.
- Electrical insulation between the case and the board is required. Do not electrically connect either the anode or cathode to the slug.
- Drawing not to scale.
- All dimensions are in millimeters.
- Unless otherwise indicated, tolerances are $\pm 0.20\text{mm}$.
- Please do not bend the leads of the LED, otherwise it will damage the LED.

Precautions:

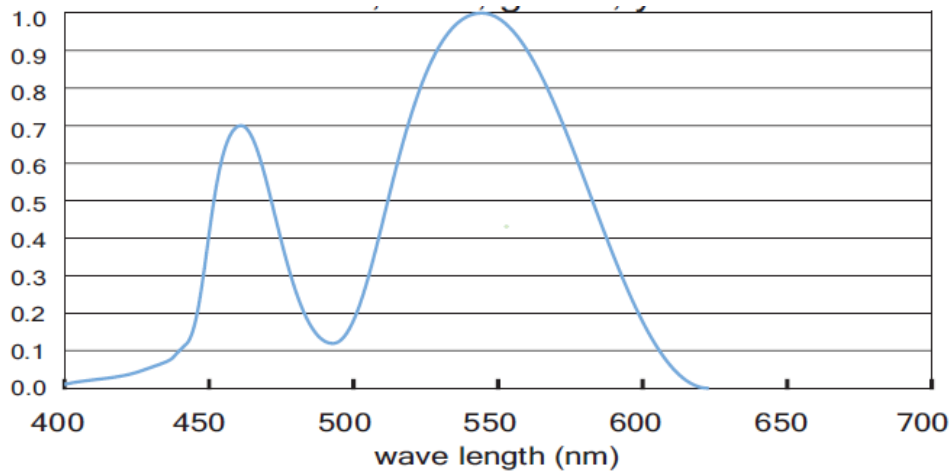
- Current should be derated in order to keep junction temperature below maximum by reducing power dissipation.
- Current spikes should be avoided especially during power up. It is good practice to initially connect PCB to unactivated supply, then gradually ramp up voltage to desired value.
- Proper management of the thermal path should be observed. Adequate heatsinking of strip should be provided in order to maintain junction temperature below maximum. Proper thermal conduction layers should be introduced at all interfaces to prevent insulating air gaps in the thermal path.
- As with all semiconductor devices, it is good practice to avoid electrostatic discharge (ESD).

Color Wavelength Diagram:

LED Color Spectrum for Red, Green, Blue, Yellow:



LED Color Spectrum for White (80 CRI) :

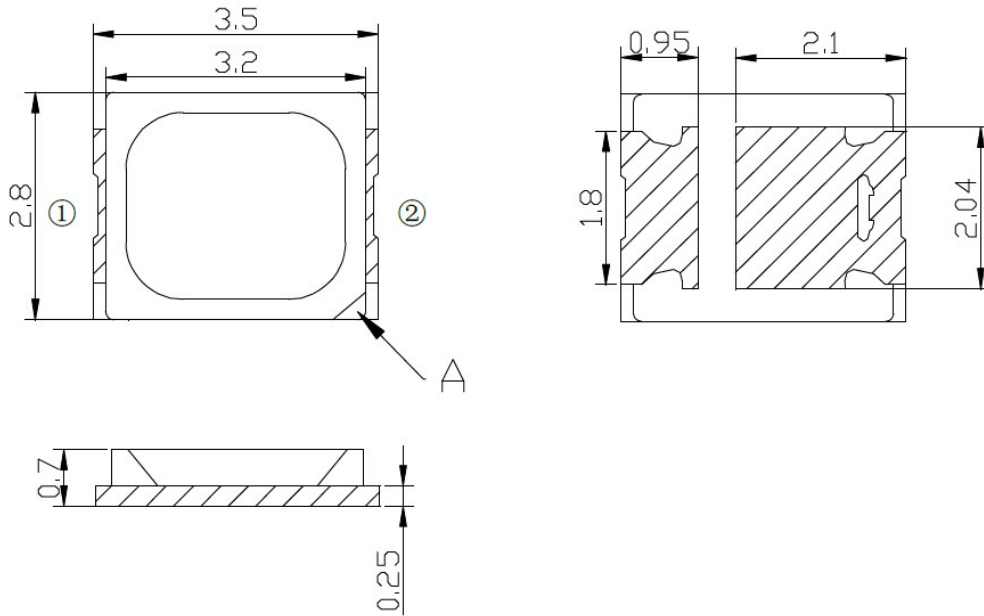


**DO NOT LOOK DIRECTLY
AT LED WITH UNSHIELDED
EYES OR DAMAGE TO
RETINA MAY OCCUR.**

Mechanical Dimensions:

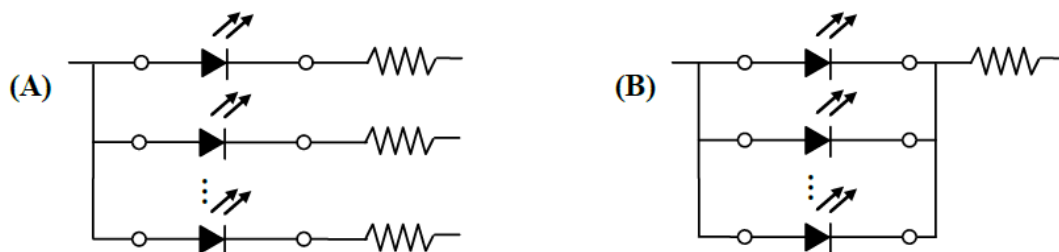
Technical Drawing:

4064-4068

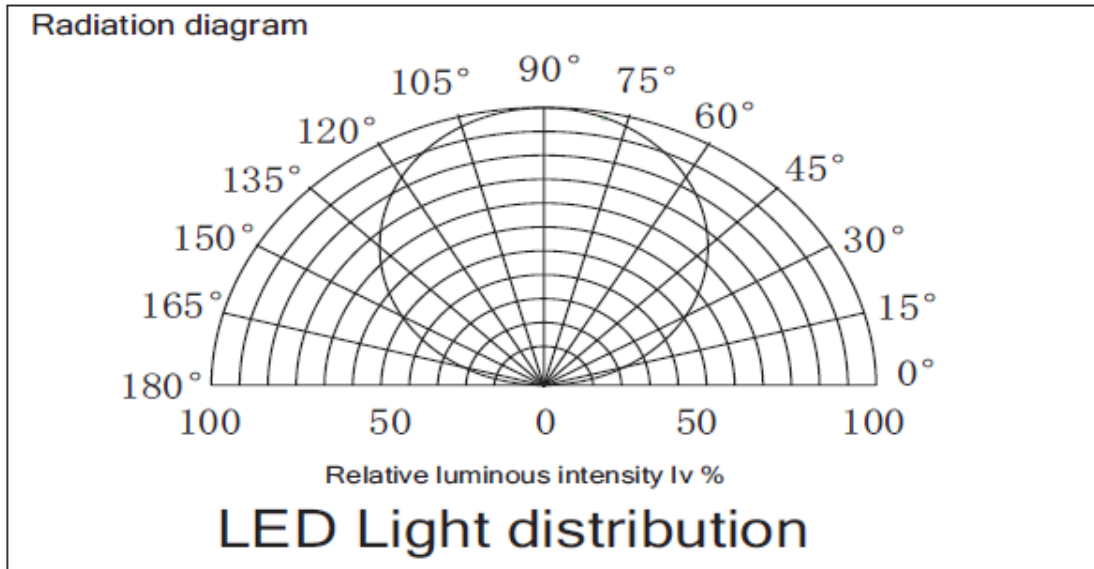


Electrical Connection:

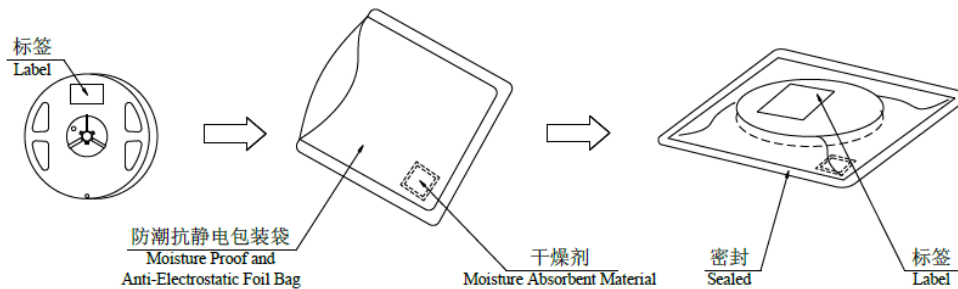
Circuit Diagram:



Optical Characteristics:



Packing:



◇ 外包装箱 Cardboard Box

