

Data Sheet

LED Tube

T8



Table of Contents

General Informations:	2
Electrical and Flux Characteristics	3
Mechanical Dimensions:	5
Test Reports:.....	6
Packing:.....	7

General Informations:

Features:

- 88pcs SMD 3014 LED as lighting source.
- No glare, no noise.
- Aluminium material housing with excellent insulating property.
- Life span up to 25,000hours, the LED efficiently protected by constant current power.
- As a replacement of traditional tube.
- Environmental protection, no mercury and hazardous substances.
- Widely used for indoor lighting, such as hotel, restaurant farm and home lighting, etc

Application :

- Business premises lighting
- Exhibition lighting
- Home Lighting
- Office lighting
- Courtyard lamp, Landscape lamp, Decoration lamp for outdoor lighting

Electrical and Flux Characteristics

Table 1: Flux Characteristics

Code	Number of LEDs	Case	Color	Wavelength	Lm	Angle	CRI
6204	88	SMD 3014	Cold White	6000-6500K	750lm	180°	>70
6205	88	SMD 3014	Warm White	2700-3300K	650lm	180°	>70
6214	88	SMD 3014	Cold White	6000-6500K	1500lm	180°	>70
6215	88	SMD 3014	Warm White	2700-3300K	1400lm	180°	>70

Notes for Table 1:

1. Parts are tested in pulsed conditions, Tj = 25°C. Pulse width is 10 ms at rated test current.
2. İlker Elektronik maintains a ± 10% tolerance on flux measurements.
3. Typical R9 value for 80CRI can be change with 90CRI.

Table 2: Electrical Characteristics

Code	Color	Input Voltage (V)	Power (W)	Body Type
6204	Cold White	85-264VaC	9W	T8
6205	Warm White	85-264VaC	9W	T8
6214	Cold White	85-264VaC	18W	T8
6215	Warm White	85-264VaC	18W	T8

Notes for Table 2:

1. Parts are tested in pulsed conditions, $T_j = 25^\circ\text{C}$. Pulse width is 10 ms at rated test current.
2. İlker Elektronik maintains a $\pm 10\%$ tolerance on Current values.
3. Typical stabilized DC performance values are provided as reference only and are not a guarantee of

Absolute Maximum Ratings ($T_A = 25^\circ\text{C}$ unless otherwise noted)

Table 3: Maximum Ratings

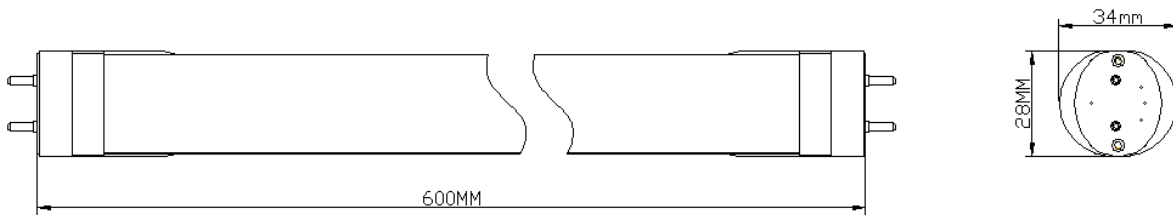
Parameter	Maximum Performance
Storage Temperature Range	$-25 \sim +50^\circ\text{C}$
Operating Temperature Range	$-20 \sim +40^\circ\text{C}$
Mounting Surface Temperature	60°C
Input Voltage (DC)	AC100-240V50-60HZ
LED Junction Temperature ¹	125°C
Electrostatic Discharge Classification (JEDEC-JESD22-A114F)	Class 1C
UL Recognition	UL recognized

Notes for Table 3:

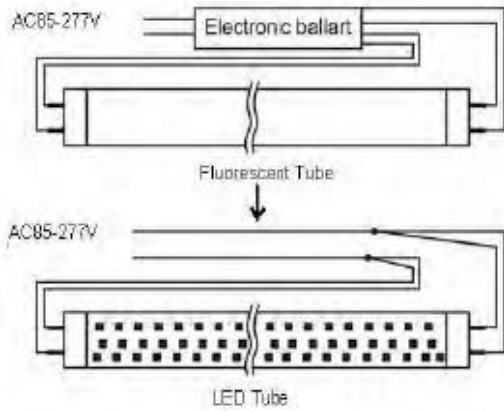
1. Proper current de-rating must be observed to maintain junction temperature below the maximum.
2. SMD LEDs are not designed to be driven in reverse bias.
3. At maximum reverse current of $10\mu\text{A}/\text{LED}$.

Precautions:

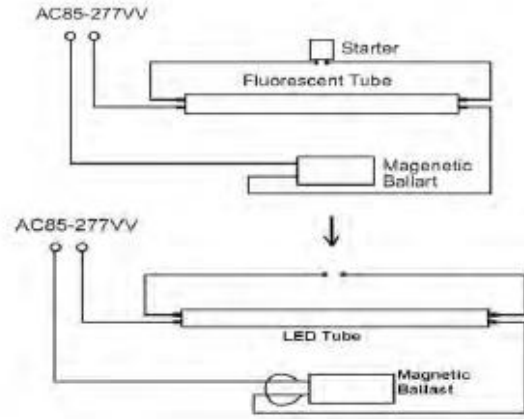
- Indoor use only
- Do not hit or beat the lamp forcibly
- Do not work with dimmer switch
- No sundries around, no cover on the lamp due to heat sinking concern
- Please check before installation that the LED light input voltage fits to the voltage showed on the box or lamps.
- Please install the lamp at the suitable place.
- Make sure the light is powered off when you install or clean this lamps
- For cleaning only use a dry, soft cloth; never use chemicals or water
- Do not touch the LED light when it is switched on
- Do not store or use this product in places with high temperature or high humidity
- Do not open the lamp, please ask the specific operation to repair if need.
- No guarantee claims for the unit and no liability for any resulting personal damage or material damage will be accepted if the unit is used for other purposes than originally intended, if it is not correctly connected or operated, if it is over-loaded or not repaired in an expert wa

Mechanical Dimensions:

Replacement with Traditional Fluorescent Tube:



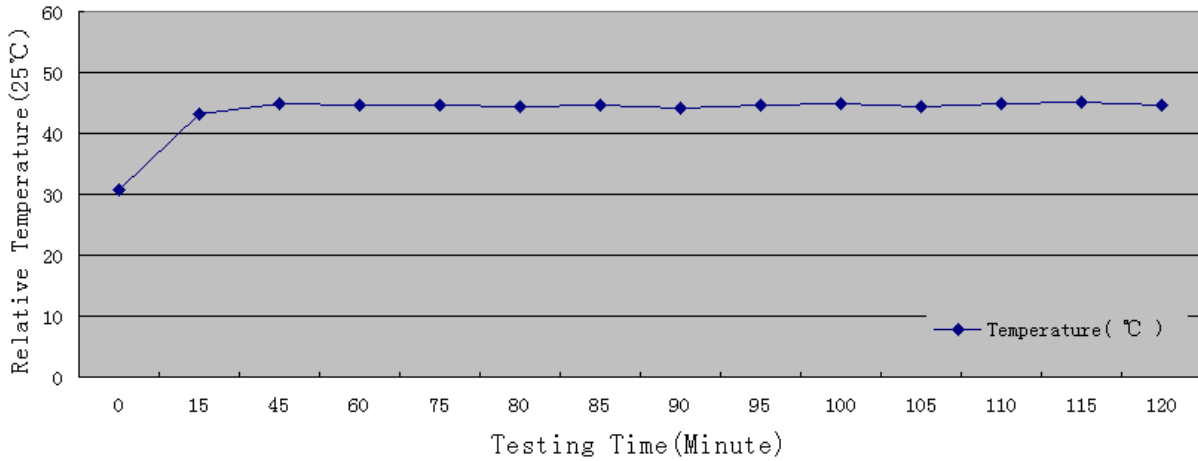
Electronic Ballast Installation



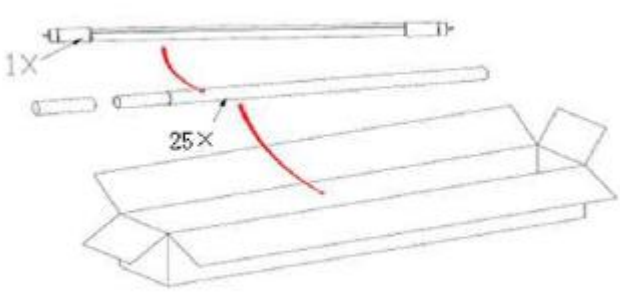
Magnetic Ballast Installation

Test Reports:

Temperature Test Report:



Packing:

<p>Packaging Information</p>	
<p> 1pc/gift box 25pcs/ca rtion NW:4kgs GW:7.5 kgs Carton Size:64.5*19.5*20CM </p>	