

PRODUCT SPECIFICATION

产品规格书

Part No. 产品型号 : 1000

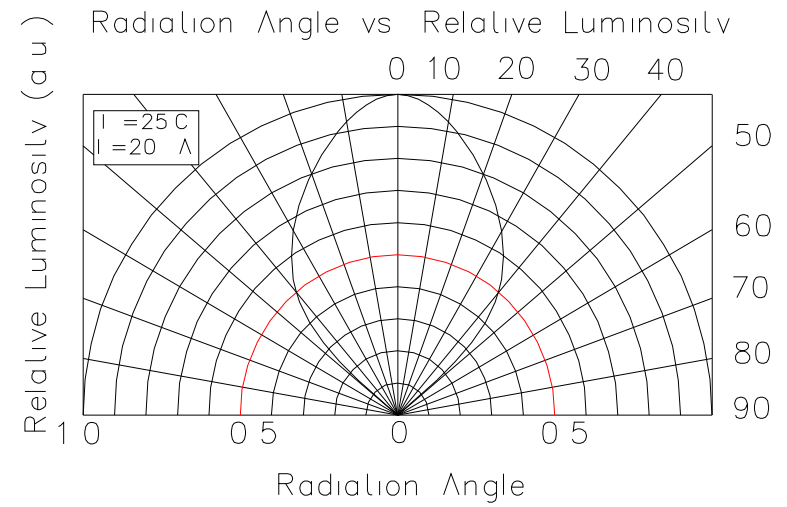
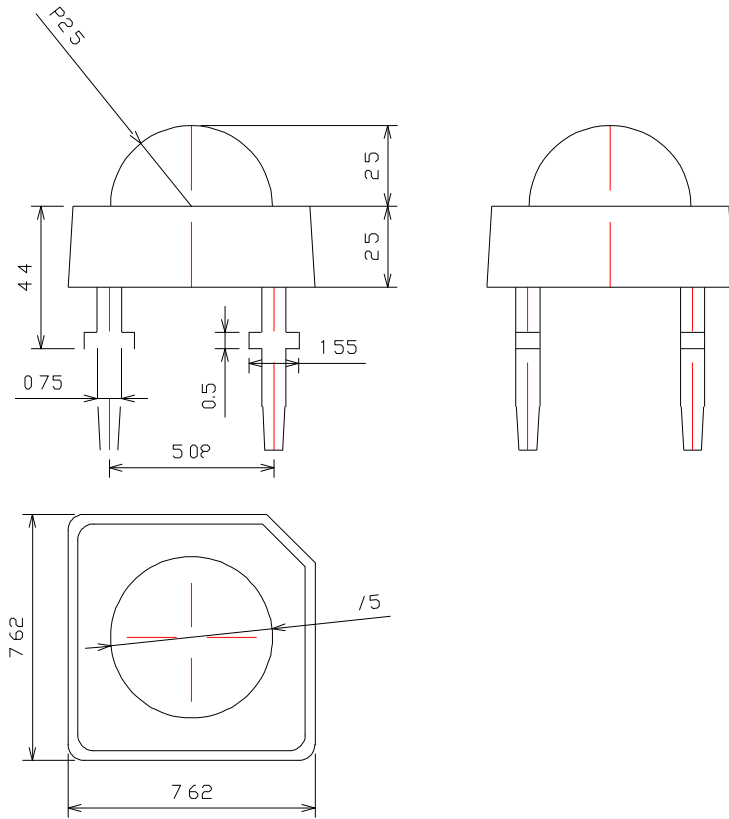
Developed No.开发序号 :

Customer 客户名称 :

Customer P/N 客户料号 :

Checked 审核		Prepared 制作	
Customer Approve 客户核准			

Part No.: 1000



Title:	Outline Dimensions 外形尺寸			Title:	View Angle 半功视角
Unit:	mm	Remark:	Tolerance is $\pm 0.2\text{mm}$ unless otherwise note.		

■ Absolute Maximum Ratings 极限参数 (Ta = 25°C)

Items 项目	Symbol 符号	Absolute maximum Rating 极限参数	Unit 单位
Power Dissipation 耗散功率	PD	100	mW
Forward Current 顺向电流	I _F	25	mA
Pulse Forward Current 脉冲电流	I _{FP}	100	mA
Reverse Voltage 反向电压	V _R	5	V
Operation Temperature 工作温度	Topr	— 20 ~ 75	°C
Storage Temperature 储存温度	Tstg	— 30 ~ 80	°C
Lead Soldering Temperature 焊锡温度	Tsol	Max.260°C for 5 sec Max. (3mm from the base of the epoxy bulb)	

Pulse width 脉宽 ≤ 0.1msec. and duty ≤ 1/10

■ Typical Electrical & Optical Characteristics 光电参数 (Ta=25°)

Items 项目	Symbol 符号	Test Condition 测试条件	Min 最小值	Typ 典型值	Max 最大值	Unit 单位
Forward Voltage 顺偏压降	V _F	I _F = 20mA		2.2	---	V
Reverse Current 反向电流	I _R	V _R = 5V	---	---	10	μA
Dominant Wavelength 主波长	λ _d	I _F = 20mA		625		nm
Luminous Intensity 发光强度	I _v	I _F = 20mA	800	1200	---	mcd
50% Power View Angle 半功视角	2θ 1/2	I _F = 20mA	---	80	---	Deg

Rank 等级	Luminous Intensity 发光强度 (mcd)	Rank 等级	Luminous Intensity 发光强度 (mcd)	Rank 等级	Luminous Intensity 发光强度 (mcd)

*Please contact our company for designation of Luminous Intensity Ranks.

*Luminous intensity measurement allowance is ±10% 光强测量容许公差为±10%