

SPECIFICATION

Item No : 6204 - 6205

Description: 88PCS/ SMD3014LED

Spec. No: _____

DATE: 12/7/2012

PREPARED	CHECKED	CHECKED	APPROVED



Features:

- ★ 88pcs SMD 3014 LED as lighting source.
- ★ No glare, no noise.
- ★ Aluminium material housing with excellent insulating property.
- ★ Life span up to 25,000hours, the LED efficiently protected by constant current power.
- ★ As a replacement of traditional tube.
- ★ Environmental protection, no mercury and hazardous substances.
- ★ Widely used for indoor lighting, such as hotel, restaurant farm and home lighting, etc



Specification:

Products Picture	
------------------	--

Electric Parameter

1	Item Number	6204 - 6205
2	Power Consumption(W)	9W±10%
3	Input Voltage(V)	AC100-240V\50-60HZ
4	Input AC Current(A)	0.04A @ AC230V\50-60HZ
5	Power factor(PFC)	≥0.9
6	Drive Mode	Constant current driver
7	Start Time	≤1s
8	Maximum duty cycle	≤70%
9	Short Circuit Protection(Yes
10	Open Circuit Protection	Yes
11	Reverse Polarity Protection (RPP)	Yes
12	Temperature Protection	NO
13	Safety Grade	Class II

Optics Parameter

1	LED	Origin	TAIWAN	
		LED Bright	12-14LM/led for White @ 40ma	12-14LM/led for Warm White @ 40ma
		LED Color Temperature/K	6500-6000K	2700-3300K
		CRI	≥70%	≥70%
2	Lamp	LED Packing type	3014 LED / 88PCS	
3		Current / Whole lamp/mA	110±10mA	
4		Initial brightness(LM)	750LM±10%	750LM±10%
5		Initial Light Efficiency (LM/W)	85LM/W±10%	85LM/W±10%
6		Beam Angle	180°	
7		Lamp	1000 hours Light failure rate(1000)	< 5% @ 25°C

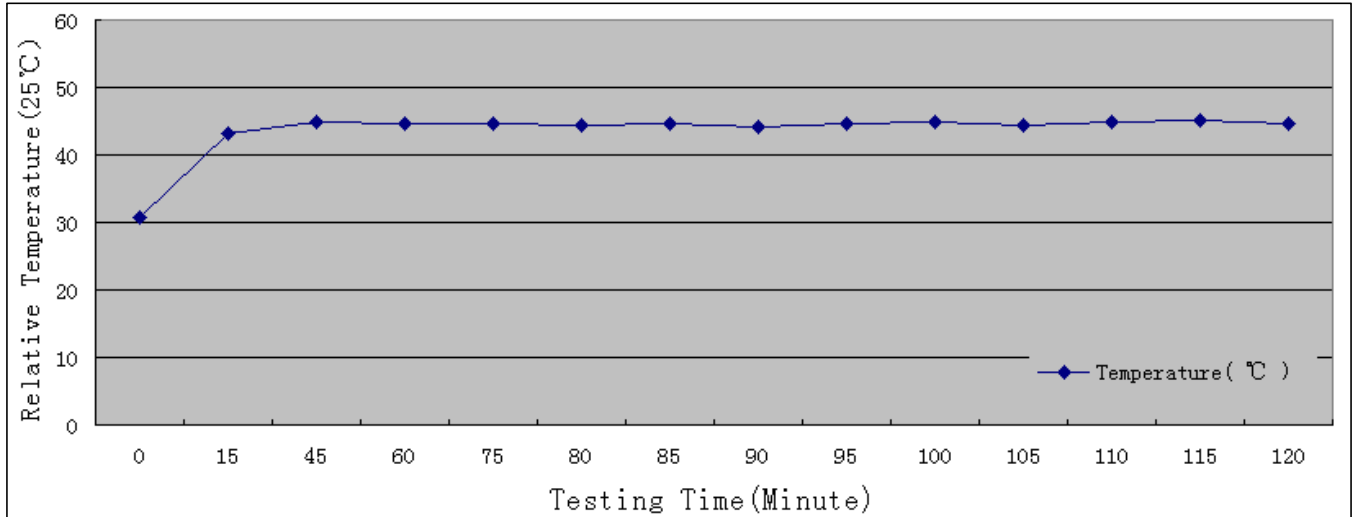
Structure parameters

1	Lamp base	G13
2	Lamp body type	T8

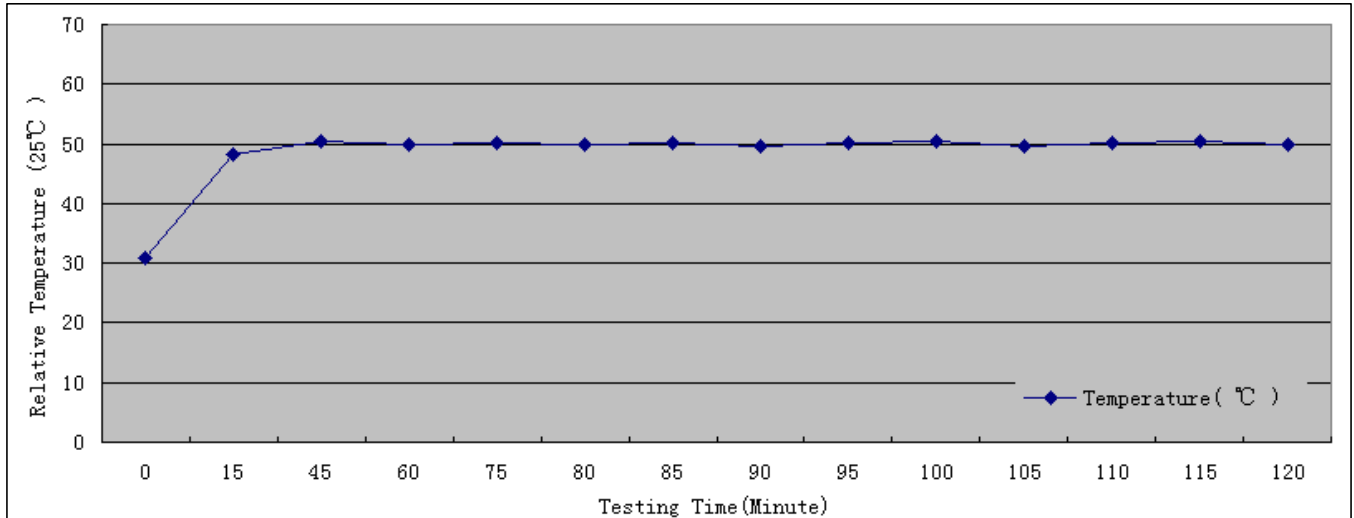
3	Sheel Structure material	Aluminum lamp body
4	Net Weight/Lamp	150±10g
5	Laser Protection Grade	Class II
6	Packaging Information	1pc/gift box 25pcs/carton NW: 4kgs GW: 7.5kgs Carton Size: 64.5*19.5*20cm
Reliability		
1	Bump test	OK
2	oscillate test	OK
Environment parameters		
1	Working Temperature	-20℃ - 40℃
2	Storage Temperature	-20℃ - 60℃
3	Theoretical Lifespan at 25℃ (Hr)	25000Hr=25years(≈2.7H/day)

***The lifespan will change according to the working temperature and working hours per day
 ***These data are testing data of representative products available for customer reference.

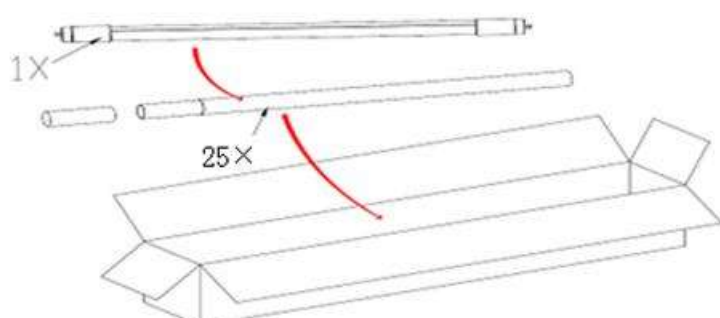
Temperature test records of lamp housing (25℃)



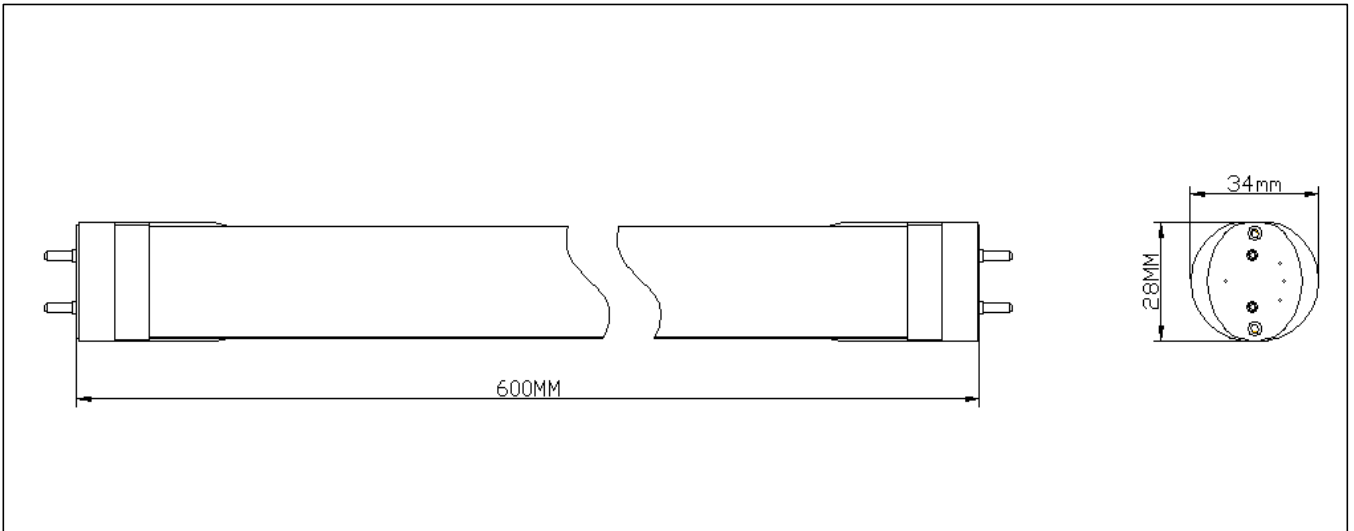
Temperature test records of soldering point of led (LED 25℃)



Packing

Packaging Information	
1pc/gift box 25pcs/carton NW:4kgs GW:7.5kgs Carton Size:64.5*19.5*20CM	

Dimension Diagram:



Application



ATTENTION



- ◆ Indoor use only
- ◆ Do not hit or beat the lamp forcibly
- ◆ Do not work with dimmer switch
- ◆ No sundries around, no cover on the lamp due to heat sinking concern

WARNING

- ◆ Please check before installation that the LED light input voltage fits to the voltage showed on the box or lamps.
- ◆ Please install the lamp at the suitable place.
- ◆ Make sure the light is powered off when you install or clean this lamps



- ◆ For cleaning only use a dry, soft cloth; never use chemicals or water
 - ◆ Do not touch the LED light when it is switched on
 - ◆ Do not store or use this product in places with high temperature or high humidity
 - ◆ Do not open the lamp, please ask the specific operation to repair if need.
- ◆ No guarantee claims for the unit and no liability for any resulting personal damage or material damage will be accepted if the unit is used for other purposes than originally intended, if it is not correctly connected or operated, if it is over-loaded or not repaired in an expert way