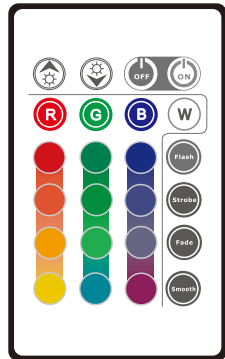
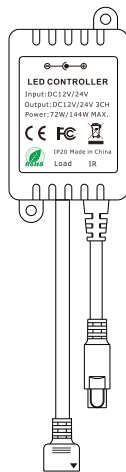


# Product Specification



Model : CT-A01-B  
Name : IR remote RGB controller

## Summary

It is an intelligent LED controller, which controls the color and brightness of the RGB lights by IR remote controller. Meanwhile, the IR remote controller can control the color, mode and change speed with light-dimmer, turning on, turning off and pause functions. This LED controller can be matched with all kinds of low-voltage RGB lights, such as RGB rigid light strip, flexible light strip, RGB panel light, RGB modules and so on.

## Features

1. Auto adaptation of 12-24V DC working voltage and with input polarity protection function.
2. The newest PWM control technology, delicate light performance, no flicker.
3. High power dimmer control MOS tube with stable and reliable performance.
4. 6-8 meters IR remote control distance.
5. Multi-level, multi-color, multi-change flexible control effects.
6. Multi-type memory functions for color, modes, speed, and brightness.
7. Smart appearance, standard input and output port, easy installation and high cost performance.

## Applications

1. Construction decoration: commercial buildings, airports or subways.
2. Indoor decoration: hotels, shopping malls, squares, restaurants, bars, houses.
3. Outdoor decoration: advertising boards, parks, bridges, roads and overpasses, scenic spots.
4. Others: Decorating for motor vehicles, samples reveal ark and the places needing RGB lights.

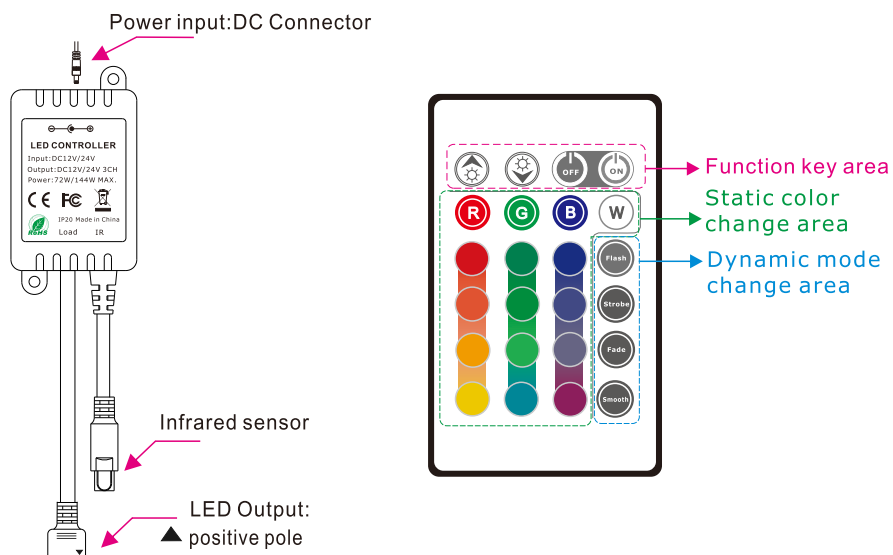
## Technical parameters

Controller	
Supply voltage	12V~24VDC
Loadable current	2Ax3CH 6A MAX.
Output channels	3CH
Output power	72W/144W(12V/24V)
Control method	IR remote control
Connection mode	common anode
Changing number	20(16 static color modes , 4 dynamic changing modes)
Dimmering method	PWM

## Technical parameters(continuous)

Grey steps	256
Protection	The power input polarity protection
<b>Remote</b>	
Working voltage	3VDC
Remote control way	IR
Controlable distance	6-8meter
Battery types	Li battery,CR2052
Key Number	24 keys
<b>Whole machine</b>	
Working temperature	-20°C~60°C
Identification	CE、RoHS
Weight	77.5g
Packing size	L90×W57×H40mm

## Panel and interface specifications





## Control method

Adopt IR remoter to control the led controller, which has 24 buttons,the function of each button as the table below:

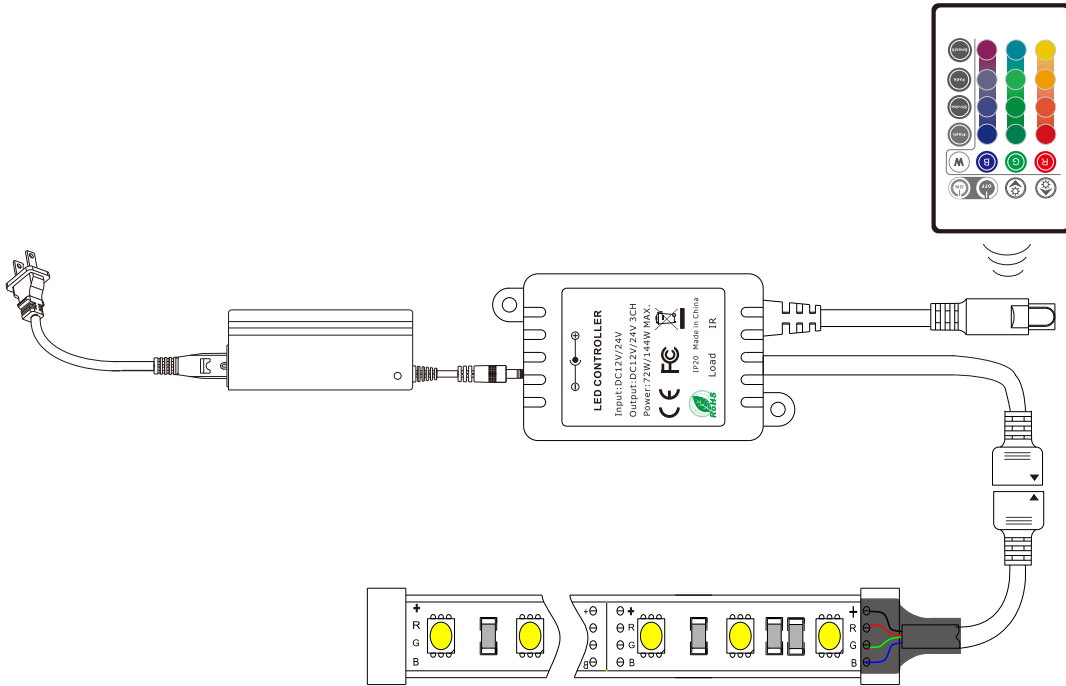
Brightness+ or Speed+	Brightness- or Speed-	Off	On
Static red	Static green	Static blue	Static white
Static orange	Static pea green	Static dark blue	3 base color jumpy
Static dark yellow	Static cyan	Static brown	3 color fade change
Static yellow	Static light blue	Static pink	7 color fade change
Static straw yellow	Static sky blue	Static purple	7 base color jumpy

**Note:**

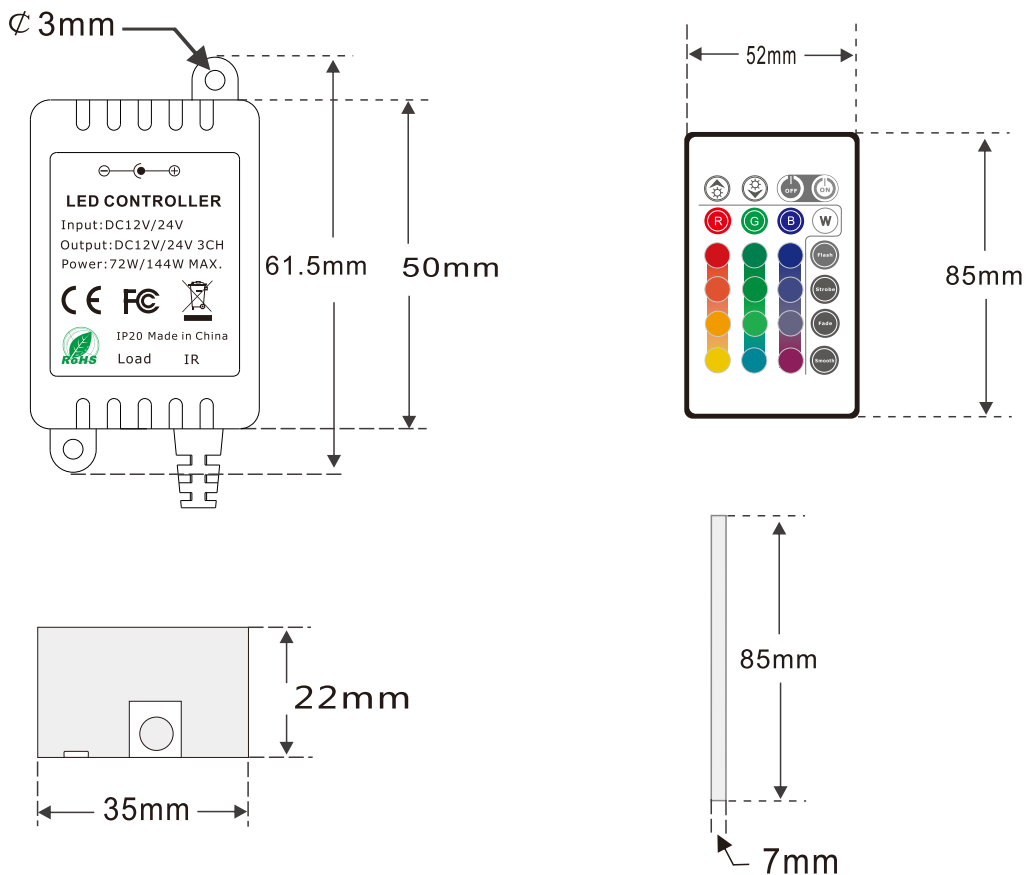
There are two keys used for multiplex key in the remote, the  and , when static mode, they are brightness adjust keys, when dynamical mode, they are speed adjust keys.

To avoid the Battery power run out by extrusion during production and transportation, insulation film will be inserted between the battery and the circuit. Please take out the insulation film before use the remote.

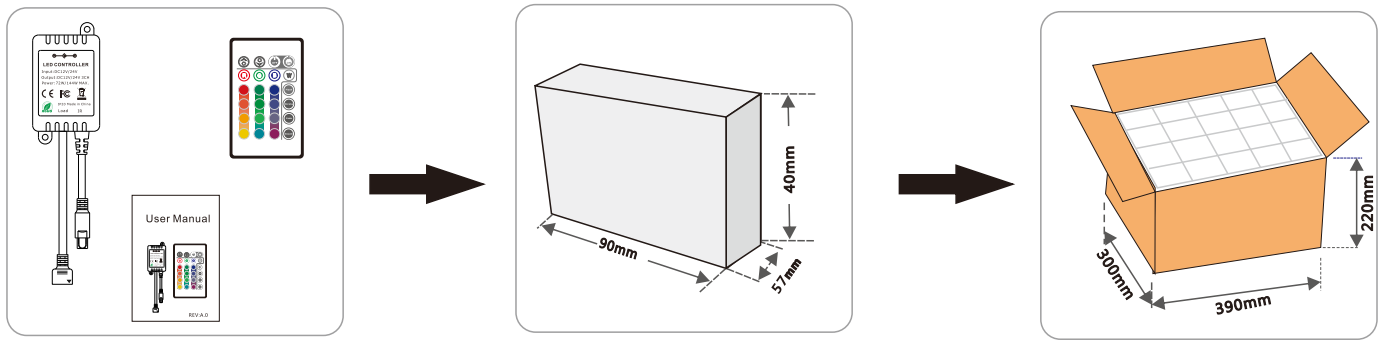
 **The wiring and the typical product apply diagram**



 **Product dimensions**

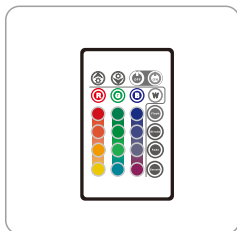


## Packing detail

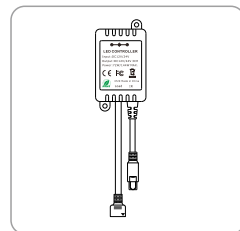


Controller size	Remote size	Packaging size	Weight/pcs	Carton size	Weight/box(100pcs)
L61.5×W35×H22mm	L113.5×W55.5×H7mm	L90×W57×H40mm	77.5g	L390×W300×H220mm	8.3kg

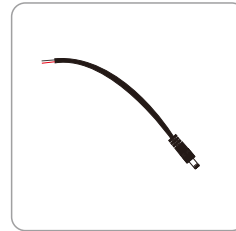
## Product Accessories



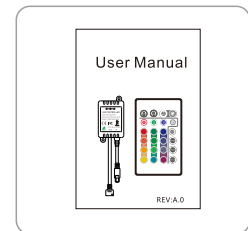
Remote



Controller



DC line



User manual

## Install caution

1. Please install the products by professional electrician.
2. This product can not waterproof, please put into water-proof tank if the clients want to use it outdoor.
3. Always be sure to mount this unit in an area that will allow proper ventilation to ensure a fitting temperature.
4. Please don't install this controller in lightning, intense magnetic and high voltage fields.
5. Check if the voltage and power adapter suit the controller and LED lights.
6. Please make sure the wires can sufficiently load the LED lights for avoiding accident.
7. Please make sure all the wires are connected correctly before switching on the power.

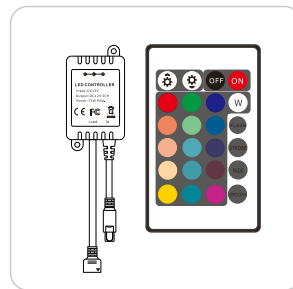
## After-sales service

1. The customers enjoy lifelong technical support for our products.
  - Free Warranty: The customers enjoy free maintenance or replacement for quality problems within one year upon date of purchasing.
  - Paid warranty: If the free warranty time is overdue, We will charge certain cost of raw materials for repair or maintenance.
2. Following cases are excluded free warranty terms:
  - Any defects caused by wrong operations.
  - Any damages caused by unauthorized removal, maintenance, modifying circuit, incorrect connections and replacing chips.
  - Any damages due to transportation, breaking, flooding water after the purchase.
  - Any damages caused by earthquake, fire, flood, lightning strike etc force majeure of natural disasters.
  - Any damages caused by negligence, inappropriate storing at high temperature and humidity or environment near harmful chemicals.
3. Our company would take up the biggest responsibility to replace the same type and quantity accordingly.
4. The clients please inform suppliers the faulty phenomena, using environment etc. for speeding up the maintenance process.
5. The manual is only suitable for this model, any update is subject to change without prior notice.

 Related products



Model : CT-B01-A  
Name : RGB Power amplifier



Model : CT-A01-A  
Name : Infrared remote RGB controller