

The power behind your lights


Model: JLV-12120K Size: 160*98*38mm


Brief Information
Powermax™
Technology Inside

120W

Power Supply (C.V.)

Model JLV-12120K / JLV-24120K

Input 100~250V AC

Output 12VDC 10A 120W / 24VDC 5A 120W

Product Features

- Compact size, easy for installation
- High transfer efficiency
- Wide input range (120V/230V)
- Endurable & stable quality
- 100% full loading, 100% burn-in tested
- Overload/short circuit protection

MAIN ELECTRICAL DATA
AC Input

Input Voltage	100~250V
Input Frequency	50/60Hz
Efficiency (Typ.)	82%
Input Current	230V: 1.3A max. 110V: 2.6A max.
Inrush Current	40A
Leakage Current	5mA/120VAC

DC Output

Output Voltage	12V	:	24V
Rated Current	10A	:	5A
Rated Power	120W	:	120W
Ripple & Noise (Max.)	<500mVp-p	:	<500mVp-p
Setup, Rise Time	1500ms/230VAC	:	1500ms/230VAC
Line Regulation	1%	:	1%
Load Regulation	1%	:	1%

Service Environment

Working Temp.	-30°C~60°C
Working Humidity	20~90%RH
Storage Temp.	-40°C~80°C
Storage Humidity	10~95%RH

Packaging Information

Product Dimension	160*98*38mm
Products Net Weight	450G
PCS/Carton(QTY)	40 PCS
Master Carton Size	47*34.5*23.5cm
G. Weight/ Carton	22KG

Protection

Overload	Yes, output voltage drops if overload 10~20%
Short Circuit	Yes, hiccup mode, recovers automatically after fault condition is removed

Safety

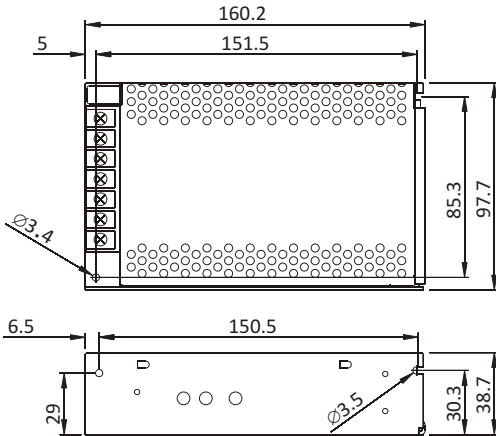
Safety Standard	EN 61347-2-13
Withstand Voltage	I/P-O/P: 3.75KVAC I/P-GND: 1.5KVAC O/P-GND: 0.5KVAC
Isolation Resistance	I/P-O/P: >100M Ohms / 500VDC /25°C / 70%RH

Installation Tips:

- Please identify the power supply's input and output before installation.
- Ensure correct output + & - wire connection. Power on after wire connection is done.
- To avoid voltage drop and loading capacity wasting on the output extension wire, please install the power supply to the loading as near as possible, if must use long extension wires, thicker wires and less loading wattage is required.
- The power supply to be installed at good ventilation and cooling environment.

The power behind your lights

Physical Drawing



Brief Information

Powermax™
Technology Inside

120W

Power Supply (C.V.)

Model JLV-12120K / JLV-24120K

Input 100~250V AC

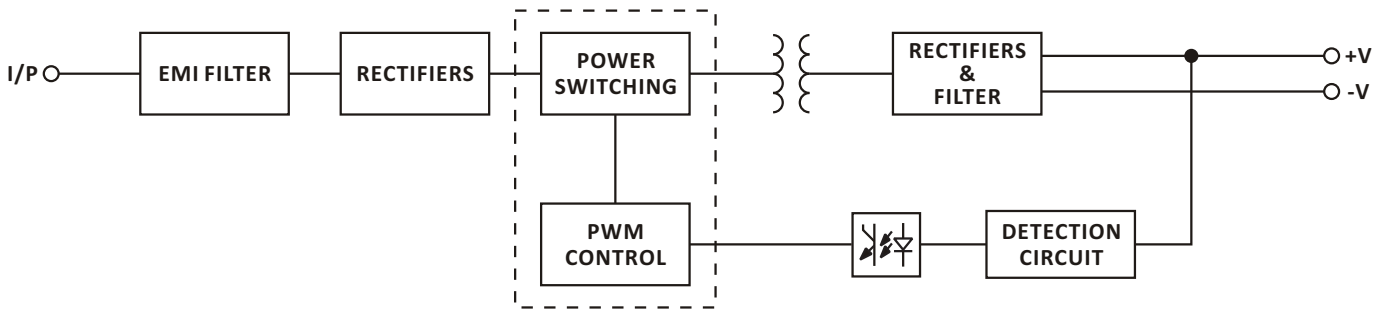
Output 12VDC 10A 120W / 24VDC 5A 120W

Input & Output:

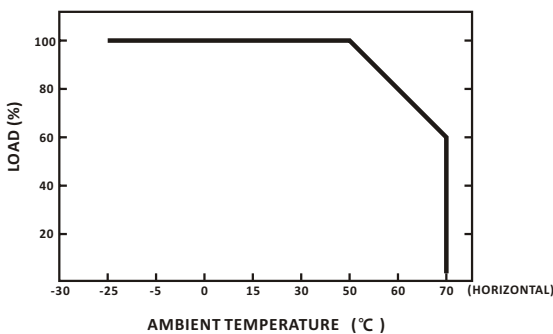
9500-7P Screw Terminals With Cover
inflamming retarding

Housing: Aluminium

Block Diagram



Derating Curve



Static Characteristics

