

The power behind your lights



Model: JLV-12240K Size: 199\*110\*50mm



**Brief Information**



**240W**

**Power Supply (C.V.)**

Model JLV-12240K / JLV-24240K

Input 100~250V AC

Output 12VDC 20A 240W / 24VDC 10A 240W

**Product Features**

- Compact size, easy for installation
- High transfer efficiency
- Wide input range (120V/230V)
- Endurable & stable quality
- 100% full loading, 100% burn-in tested
- Overload/short circuit protection

**MAIN ELECTRICAL DATA**

**AC Input**

Input Voltage	100~250V
Input Frequency	50/60Hz
Efficiency (Typ.)	85%
Input Current	230V: 2.8A max. 110V: 5.6A max.
Inrush Current	40A
Leakage Current	5mA/120VAC

**DC Output**

Output Voltage	12V	:	24V
Rated Current	20A	:	10A
Rated Power	240W	:	240W
Ripple & Noise (Max.)	<500mVp-p	:	<500mVp-p
Setup, Rise Time	1500ms/120VAC	:	1500ms/120VAC
Line Regulation	1%	:	1%
Load Regulation	1%	:	1%

**Service Environment**

Working Temp.	-30°C~60°C
Working Humidity	20~95%RH
Storage Temp.	-40°C~80°C
Storage Humidity	10~95%RH

**Protection**

Overload	Yes, Cut-off mode, Output shuts down if over-loaded
Short Circuit	Yes, output shut down, recovers automatically after fault condition is removed

**Safety**

Safety Standard	EN 61347-2-13
Withstand Voltage	I/P-O/P:1500VAC/1min/<5mA
Isolation Resistance	I/P-O/P: >100M Ohms / 500VDC /25°C / 70%RH

**Packaging Information**

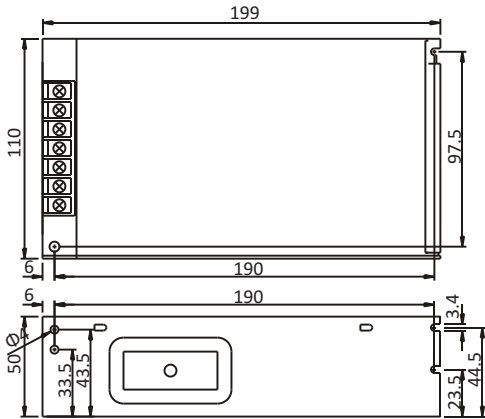
Product Dimension	199*110*50mm
Products Net Weight	650G
PCS/Carton(QTY)	20 PCS
Master Carton Size	42.5*30.5*25.5cm
G. Weight/ Carton	18KG

**Installation Tips:**

- Please identify the power supply's input and output before installation.
- Ensure correct output + & - wire connection.  
Power on after wire connection is done.
- To avoid voltage drop and loading capacity wasting on the output extension wire, please install the power supply to the loading as near as possible, if must use long extension wires, thicker wires and less loading wattage is required.
- The power supply to be installed at good ventilation and cooling environment.

*The power behind your lights*

## Physical Drawing



Unit: mm

### Brief Information

**Powermax™**  
Technology Inside

# 240W

**Power Supply (C.V.)**

Model JLV-12240K / JLV-24240K

Input 100~250V AC

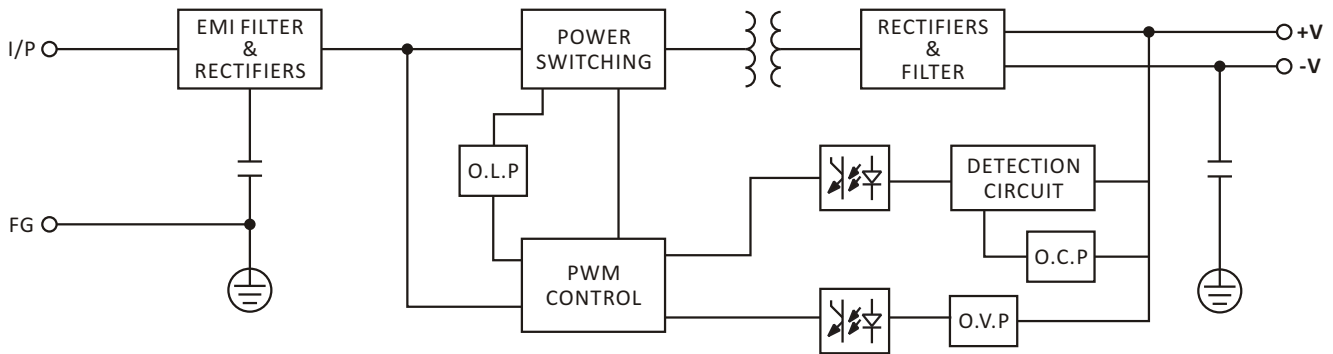
Output 12VDC 20A 240W / 24VDC 10A 240W

Input & Output:

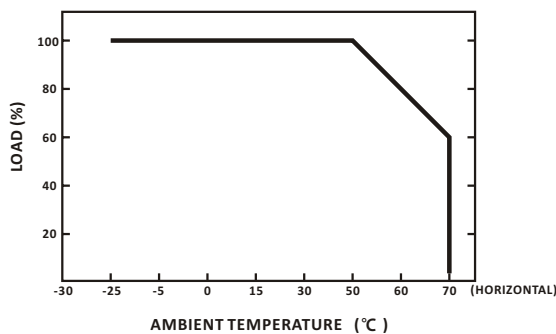
9500-7P Screw Terminals With Cover  
inflamming retarding

Housing: Aluminium

## Block Diagram



## Derating Curve



## Static Characteristics

