

User Manual



RGB Power Amplifier

Rev:1.0

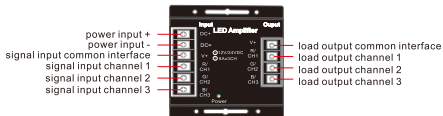
Features

1. Auto adaptation of 12~24V DC working voltage and with input polarity protection function.
2. The newest PWM control technology, delicate light performance, no flicker.
3. High power dimmer control MOS tube with stable and reliable performance, strong power-drive ability with max 30A of 3 channels.
4. The input brightness remains the same as the output brightness.
5. The input and output signal of power amplifier is equipped with photoelectric isolation of 5 KV safety protection function.

Technical parameter

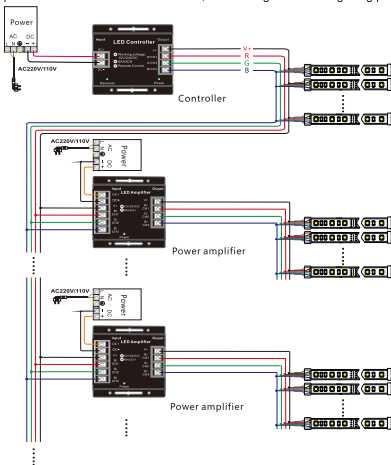
Working Voltage	DC12~24V
Working Current	10Ax3CH 30A MAX.
Channels	3CH
Control Mode	PWM signal
Connecting Mode	Connon anode
Output Control Mode	Constant Voltage
Circuit Protection	Input polarity protection
Working Temperature	-20°C~60°C

Interface and installation method

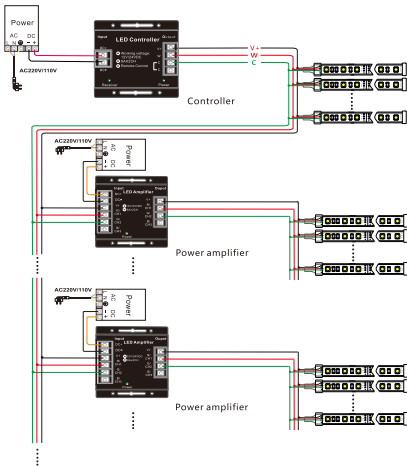


Power amplifying application picture

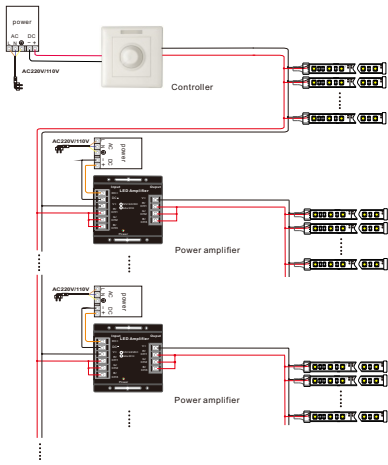
Example 1: Matched with RGB controller, connecting with RGB lighting products.



Example 2: Matched with color temperature adjustable controller, connecting with PW/WW lighting products.



Example 3: Matched with dimmer, connecting with single color lighting products.



Install caution

1. Please install the products by professional electrician.
2. This product can not waterproof, please put into water-proof tank if the clients want to use it outdoor.
3. Always be sure to mount this unit in an area that will allow proper ventilation to ensure a fitting temperature.
4. Please don't install this controller in lightning, intense magnetic and high voltage fields.
5. Check if the voltage and power adapter suit the controller and LED lights.
6. Please make sure the wires can sufficiently load the LED lights for avoiding accident.
7. Please make sure all the wires are connected correctly before switching on the power.

After-sales service

1. The customers enjoy lifelong technical support for our products:
 - Free Warranty: The customers enjoy free maintenance or replacement for quality problems within one year upon date of purchasing.
 - Paid Warranty: If the free warranty time is overdue, we will charge certain cost of raw materials for repair or maintenance.
2. Following cases are excluded free warranty terms:
 - Any defects caused by unauthorized removal, maintenance, modifying circuit, incorrect connections and replacing chips.
 - Any damages due to transportation, breaking, flooding water after the purchase.
 - Any damages caused by earthquake, fire, flood, lightning strike etc force majeure of natural disasters.
 - Any damages caused by negligence, inappropriate storing at high temperature and humidity or environment near harmful chemicals.
3. Our company would take up the biggest responsibility to replace the same type and quantity accordingly.
4. The clients please inform suppliers the faulty phenomena, using environment etc. For speeding up the maintenance process.