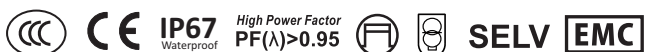




Model: JLV-12036PA-E Size: 170x40x16.3mm



Brief Information

Super-Thin Series

36W

Waterproof Power Supply (C.V.)

Model JLV-12036PA-E / JLV-24036PA-E

Input 220-240V AC

Output 12VDC 3A 36W/ 24VDC 1.5A 36W

Product Features

- Plastic housing, LPV standard
- High transfer efficiency
- Super-thin: 16.3mm height
- High Power Factor: PF>0.95
- IP67, for both indoor & outdoor
- 100% full loading, 100% burn-in tested
- Overload/short circuit protection

MAIN ELECTRICAL DATA

AC Input

Input Voltage	220-240V (Rated Range)
	180-250V (Workable Range)
Input Frequency	50/60Hz
Efficiency (Typ.)	>87%
Input Current	230V: 0.23A max.
Inrush Current	60A
Leakage Current	3mA/230VAC

DC Output

Output Voltage	12V	:	24V
Rated Current	3A	:	1.5A
Rated Power	36W	:	36W
Ripple & Noise (Max.)	<100mVp-p	:	<100mVp-p
Setup, Rise Time	1500ms/230VAC	:	1500ms/230VAC
Line Regulation	1%	:	1%
Load Regulation	1%	:	1%

Service Environment

Working Temp.	-25°C~50°C
Working Humidity	20~99%RH
Storage Temp.	-40°C~80°C
Storage Humidity	10~99%RH

Protection

Overload	Yes, output voltage drop mode
Short Circuit	Yes, hiccup mode, recovers automatically after fault condition is removed

Safety

Safety Standard	EN 61347-2-13
Withstand Voltage	I/P-O/P: 3KV AC; O/P-GND: 0.5KV AC
Isolation Resistance	I/P-O/P: >100M Ohms / 500VDC /25°C / 70%RH

Standards

EN 55015: 2013	
EN 61347-1: 2015	EN 61547: 2009
EN 61347-2-13: 2014/A: 2017	EN 61000-3-2: 2014
EN 62493: 2015	EN 61000-3-3: 2013

Packaging Information

Product Dimension	170*40*16.3mm
Products Net Weight	170G
PCS/Carton(QTY)	80 PCS
Master Carton Size	43*24*15cm
G. Weight/ Carton	15KG

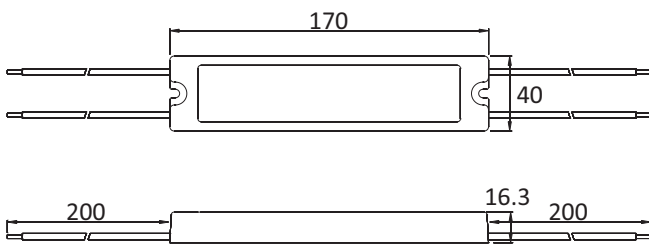
Installation Tips:

- Please identify the power supply's input and output before installation.
- Ensure correct output + & - wire connection. Power on after wire connection is done.
- To avoid voltage drop and loading capacity wasting on the output extension wire, please install the power supply to the loading as near as possible, if must use long extension wires, thicker wires and less loading wattage is required.
- The power supply to be installed at good ventilation and cooling environment.

The power behind your lights

Physical Drawing

Unit: mm



Brief Information

Super-Thin Series

36W

Waterproof Power Supply (C.V.)

Model JLV-12036PA-E / JLV-24036PA-E

Input 220-240V AC

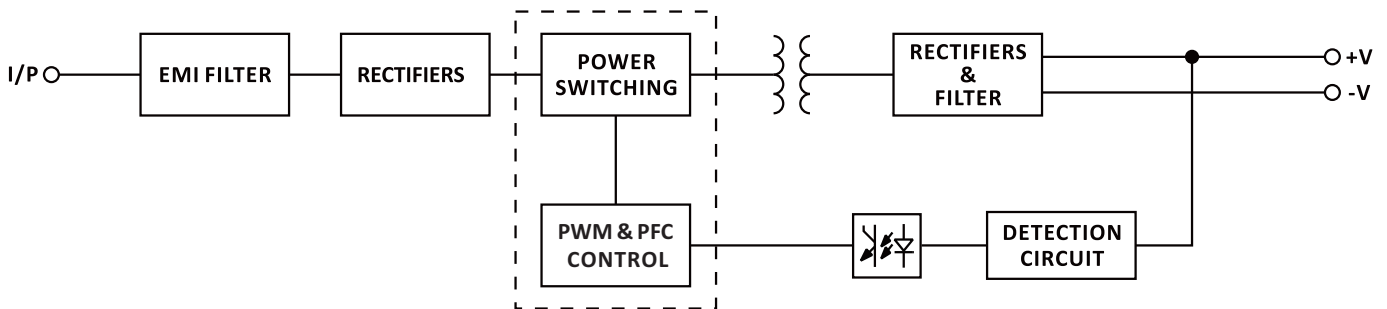
Output 12VDC 3A 36W/ 24VDC 1.5A 36W

Input: 2x22 AWG, wire, Brown L, Blue N
200mm length

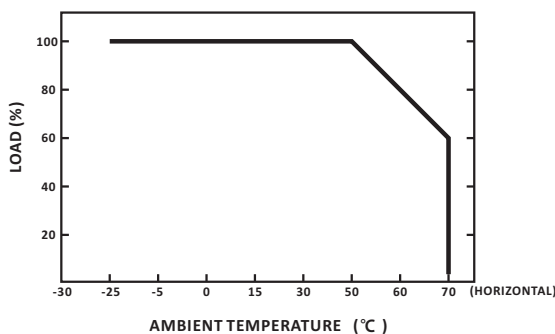
Output: 2x20 AWG wire, Red +, Black -
200mm length

Housing: Plastic (ABS)

Block Diagram



Derating Curve



Static Characteristics

