

# FYO-LED

## DATA SHEET

FSFI.3528.6020.1212

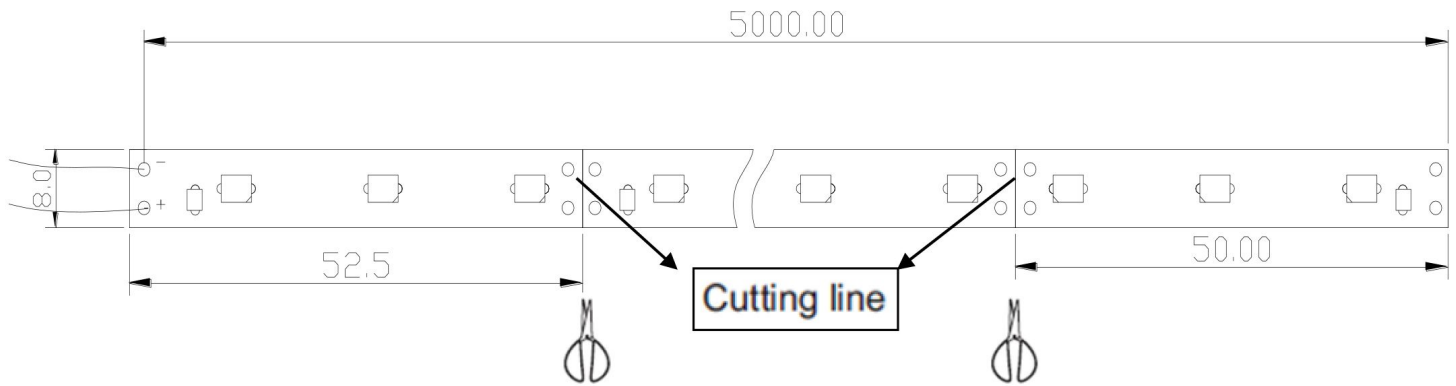


### 1、 Product characteristics

- Packing with 12 mm bearing belt and 7 inch diameter reel.。
- Lead-free, environmentally friendly, in line with RoHS requirements.
- Low-voltage drive, safe use

- Free bending, flexible installation
- Low power consumption, long life and maintenance-free

## 2、Outline size



±0.25 mm

## product specification

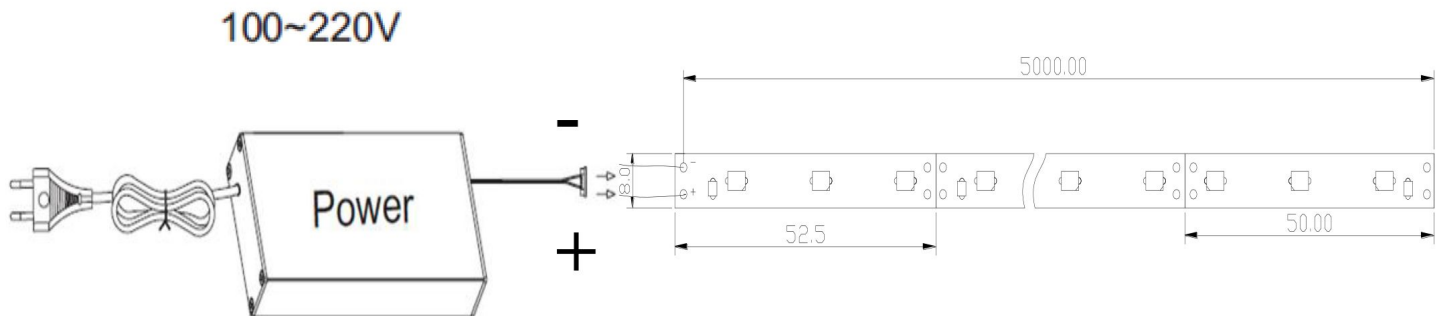
LED type	color	Color temperature	Brightness	LED PCS/M	LED viewing angle	(V)	power (W/M)	package
3528	white	6000-7000k	1400-1600mcd	120	120°	DC12V	≤9.6	5m/roll

## 4、Product parameters

NON-WATERPROOF F	WATERPROOF
---------------------	------------

SIZE (mm) :	L5000*W8	L5000*W8
Main materials:	Flexible circuit board	Flexible circuit board+GLUE
Waterproof grade:	IP20	IP65
Scope of use:	INDOOR	OUTDOOR

## 5、Product circuit diagram and wiring diagram



## 6、Product Label and Packaging Chart

### 6.1 product labeling:

**LED RIBBON**

LED SMD SINGLE COLOR RIBBON  
 DC 12V  
 SMD MODLE:3528 WHITE  
 MAX WATT:4.8W/M  
 NOT DIMMABLE  
 IP60 60LEDS/M  
 MADE IN CHINA  
 5M/ROLL  
 1ROLL/BAG




ROHS  
2002/95/EC  
EEE YÖNE TMEIÖINE UYGUNDUR.

## 6.2 Packing drawing

