



Model: JLV-12036K

Size: 85\*58\*38mm



**Brief Information**



**36W**

**Power Supply (C.V.)**

Model JLV-12036K/ JLV-24036K

Input 100~250V AC

Output 12VDC 3A 36W / 24VDC 1.5A 36W

**Product Features**

- Compact size, easy for installation
- High transfer efficiency
- Wide input range (120V/230V)
- Endurable & stable quality
- 100% full loading, 100% burn-in tested
- Overload/short circuit protection

**MAIN ELECTRICAL DATA**

**AC Input**

Input Voltage	100~250V
Input Frequency	50/60Hz
Efficiency (Typ.)	84%
Input Current	230V: 0.45A max.
Inrush Current	40A
Leakage Current	3mA/230VAC

**DC Output**

Output Voltage	12V	24V
Rated Current	3A	1.5A
Rated Power	36W	36W
Ripple & Noise (Max.)	<100mVp-p	<100mVp-p
Setup, Rise Time	1500ms/230VAC	1500ms/230VAC
Line Regulation	1%	1%
Load Regulation	1%	1%

**Service Environment**

Working Temp.	-30°C~60°C
Working Humidity	20~90%RH
Storage Temp.	-40°C~80°C
Storage Humidity	10~95%RH

**Protection**

Overload	Yes, cut-off mode, output shuts down if 5-30% overloaded, automatic recovery
Short Circuit	Yes, hiccup mode, recovers automatically after fault condition is removed

**Safety**

Safety Standard	EN 61347-2-13
Withstand Voltage	I/P-O/P: 3.75KVAC I/P-GND: 1.5KVAC O/P-GND: 0.5KVAC
Isolation Resistance	I/P-O/P: >100M Ohms / 500VDC /25°C / 70%RH

**Packaging Information**

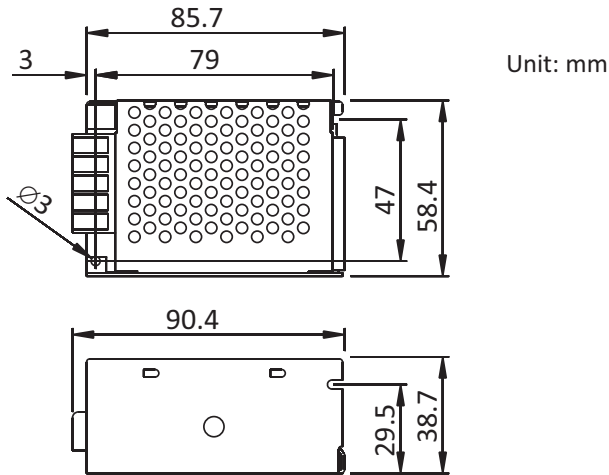
Product Dimension	85*58*38mm
Products Net Weight	200G
PCS/Carton(QTY)	100PCS
Master Carton Size	40*35.5*25cm
G. Weight/ Carton	20KG

**Installation Tips:**

- Please identify the power supply's input and output before installation.
- Ensure correct output + & - wire connection.
- Power on after wire connection is done.
- To avoid voltage drop and loading capacity wasting on the output extension wire, please install the power supply to the loading as near as possible, if must use long extension wires, thicker wires and less loading wattage is required.
- The power supply to be installed at good ventilation and cooling environment.

The power behind your lights

## Physical Drawing



### Brief Information

Powermax™  
Technology Inside

# 36W

### Power Supply (C.V.)

Model JLV-12036K/ JLV-24036K

Input 100~250V AC

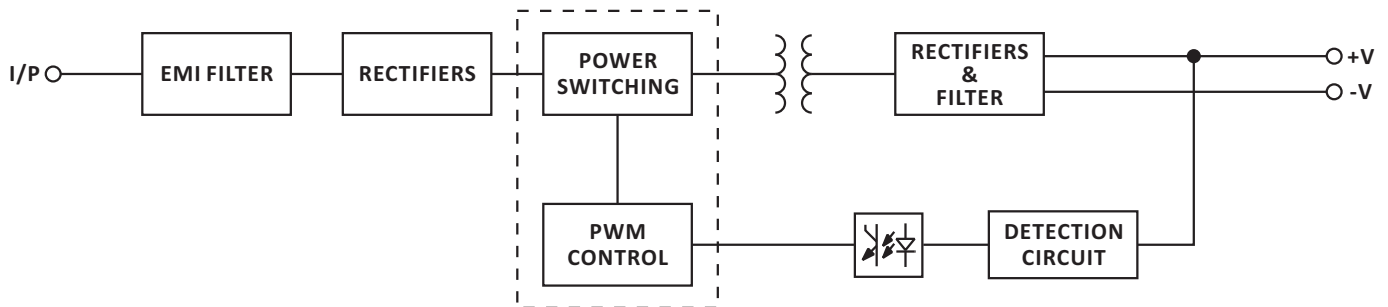
Output 12VDC 3A 36W / 24VDC 1.5A 36W

Input & Output:

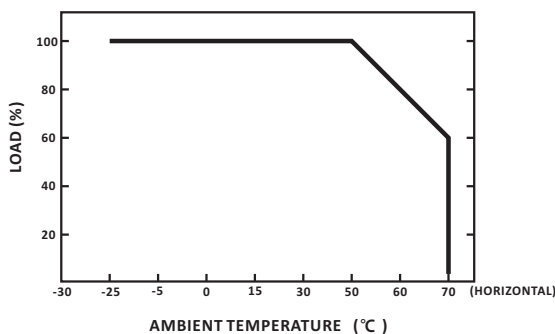
HB-611M-5P Screw Terminals With Cover  
inflamming retarding

Housing: Aluminium

## Block Diagram



## Derating Curve



## Static Characteristics

