
Product Specification

Product name: RF Touch Remote Led Dimmer



Introduction:

This is RF touch remote control LED Dimmer which adopts high-precision capacitive touch IC chip to make the touching more smoothly. Mainly used to control all kinds of DC constant voltage led products, such as LED source, flexible strip, wall washer, glass curtain wall light etc...

Besides, this controller got short circuit protection, when the short circuit happens, the indicator will keep flashing. It will recovery itself when the short circuit happened later.

Technical parameters:

Receiver:

Working temperature: -20°C~- 60°C

Output: 3 channels

Static power consumption: <0.5W

controller dimension: : L83 X W79 X H33 mm

Net Weight: 168g

Supply Voltage: DC5V / DC 12V-24V,

Connection mode: Common anode

Output current: 6A*10CH=30A

Package size: L205XW135XH45mm

Gross Weight: 392g

Remote Control:

Working temperature: -20°C - 60°C

Supply voltage: 3V

Static current: 10uA

Remote-controlled distance: 20-30Meters

Power supply mode: AA battery *2pcs

Static power consumption: <0.09mW






Operating current: 15mA

Stand-by time: 6 months

Product dimension:



Remote control Function:

Button	Function
	Turn Off / Turn On
	100% Brightness
	2% Brightness
	Touch ring for brightness, 64 touch points.
	Brightness+
	Brightness-

Installation:



DC+: Power supply + (voltage 12v-24v)

DC-: Power supply-

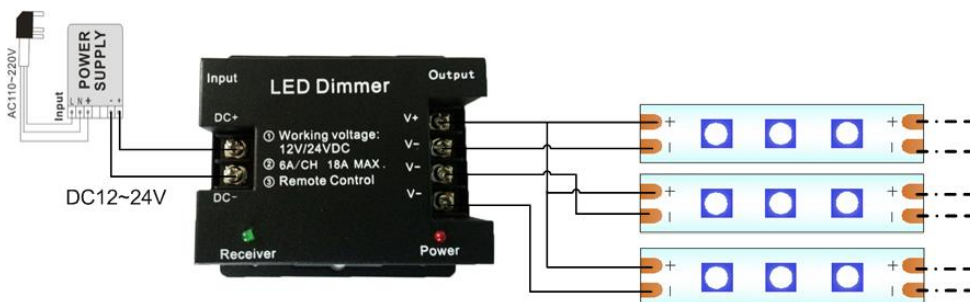
V+: Load +

V-*3: Load- (Three options)

Power indicator: The indicator will keep light on when power on the controller,

Receiver indicator: The indicator will flash every time receiver got remote control signal. The indicator will keep flashing when it got short circuit.

Typical Applications:



Notes:

1. The use of power and load voltage, current, power must be consistent with the product.
2. Please make the connection like the diagram above (to connect the load wire first, than to connect with the power), In the process of operation please avoid short circuit.
3. This product warranty is 2 years, But not including the damage by people and other reason caused by over load working.